

# LEFOO 力夫

## LFG101

### Carbon Monoxide Transmitter

#### Features

- High linearity and high stability
- Good repeatability and long lifespan
- High-precision electro-chemical sensor, no need calibration and replacement
- Double-layer waterproof membrane design, effectively prevents moisture entering.



#### Description

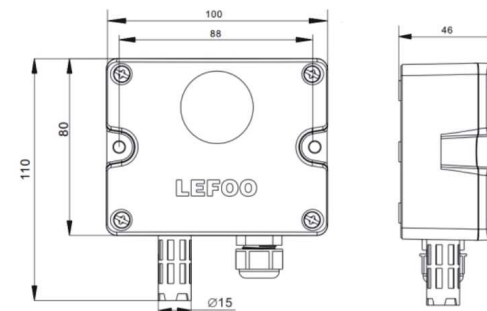
LFG series Carbon Monoxide Transmitters use electrochemical principles to detect carbon monoxide in the air, with good selectivity and stability. Carbon Monoxide and Oxygen undergo redox reaction on the working electrode and the counter electrode, releasing charges to form current. The concentration of Carbon Monoxide can be determined by measuring the volume of the current. It applicable for precision gas measurement and control in indoor air quality, air conditioner, air purifier, underground parking lots and other occasions.

#### Specification

Output Mode	4~20mA	0~5V	0~10V	RS485
Working Voltage	10-30Vdc	10-30Vdc	16-30Vdc	10-30Vdc
Working Temperature	-10~50°C			
Working Humidity	15%~90%RH			
Work pressure	1atm (Standard Atmospheric Pressure) ±10%			
Measured Concentration Range	0-500ppm/0-1000ppm			
Accuracy	±5%F. S@25°C			
Response time (T <sub>90</sub> )	≤15s			
Protection level	IP6x			
Service life	>5 years			

# LEFOO 力夫

Dimension in : mm



#### Model Selection

Spec Code and Definition		Description
LFG101	Carbon Monoxide Transmitter	Model
A	Electro-chemical	Sensing Element
1	500ppm	Measurement Range
2	1000ppm	
V0	0-5V	Output
V10	0-10V	
A4	4-20mA	
RS	RS485/Modbus	
LFG101- A 1 A4		Model Example