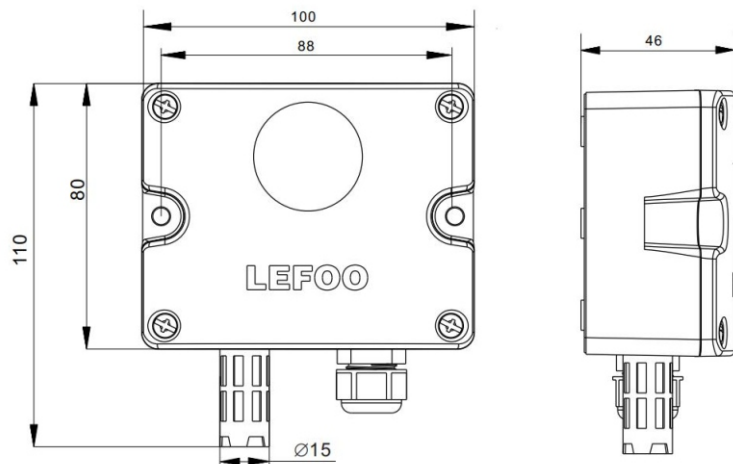


# LFG201

## Carbon Dioxide Transmitter



Dimension in : mm



The LFG series CO<sub>2</sub> transmitter is based on the different absorption capabilities of different gases for specific wavelengths of infrared light. It measures the concentration of the measured gas by measuring the degree of infrared light absorption. Compared with electrochemical sensors, it has the characteristics of longlife and good stability. Suitable for indoor air quality testing, air conditioners, air purifiers, vegetable greenhouses and other occasions precision gas measurement and control.

### LFG201Series Order Ref NO

LFG201 - B 2 A4  
A B C

A Sensor	B Measure ment Range	C Output
Dual channel sensor	1=2000ppm	V0=0~5V
	2=5000ppm	V10=0~10V
	3=10000ppm	A4=4~20mA
		RS=RS485/Modbus

### Specification

General	Value
Working Voltage	10-30Vdc (0-10V output requires 16-30VDC power supply)
Output Mode	4-20Ma,0-5v,0-10v,RS485
Working temperature	-10°C~50°C
Working humidity	0-80%RH,No condensation
Measure concentration	0-2000ppm,0-5000ppm,0-10000ppm
Accuracy	±40PPm+3%Fs@25°C
Preheat time	2min(Available)-10min(reach the maximum accuracy)
Protection Grade	Ip6x
Lifespan	>5years