

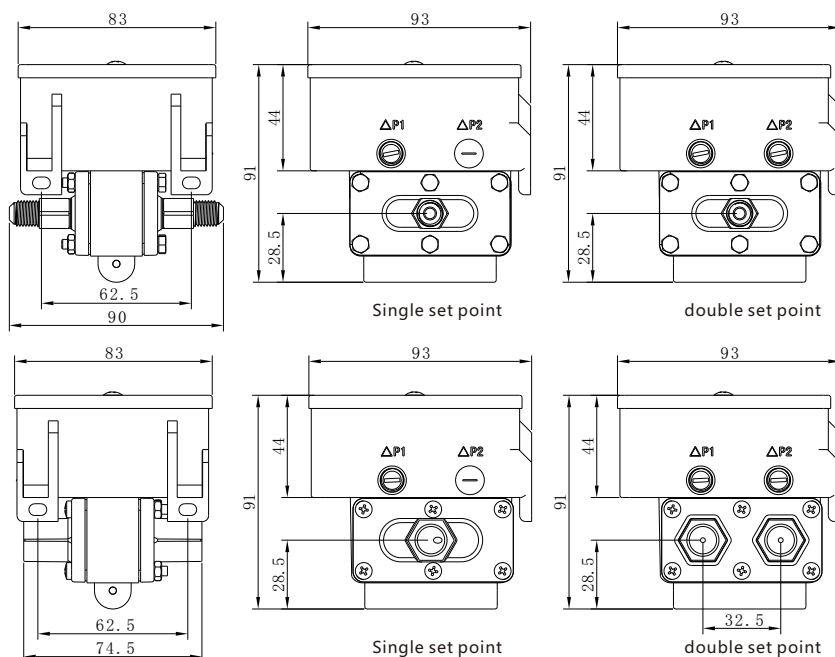
# LF52

## Differential Pressure switch

**LEFOO**



Installation dimension ( mm )



Wiring diagram



### Product introduction:

This adjustable differential pressure switch LF52 is developed for sparingly using in different differential value requirements. It is widely applied for detecting the differential of water filter, pump, heat exchanger, chillers and its coil units. When the water flowing (differential) decrease or increase to the setting point, there will be an alarm or cut off output signal for the self-controlling system. It's also available for indicating the status of pump or water filter. Double differential settings pressure switch can take the replacement of the vane flow switch and avoid changing the vane flow switch from chillers each year.

A single set point is a high/low limit that controls the differential pressure between the front and rear ends of a section of pipeline. The double set point is to control the high and low limit of the pressure difference between the front and rear ends of a pipeline, and can also control the high/low limit of the pressure difference between the front and rear ends of the two pipelines.

### Reference standard:

- 1.U1508
- 2.GB14048-2000 ( Low voltage switchgear and control equipment general provision )
- 3.GB14048.5-2000(Low voltageswitchgear and control equipment, part 5-1 Control equipment and switching elements )
- 4.ROHS certificate.

Adjustable	Model	Differential pressure adjustable range kPa	Differential	Lap increment
Single Set Point Working Pressure range	52-15	5—15	3±1	1
	52-30	5—30	3±1	2.2
	52-70	6—70	3±1	5.5
	52-100	6—100	5±1	6.5
	52-200	10—200	6±1.5	16
	52-300	20—300	7±1.5	25
Dual Set Point Working Pressure range	52-400	30—400	8±1.5	38
	52-30/100	5—30/6—100	3±1/5±1	2.2/6.5
	52-70/100	6—70/6—100	3±1/5±1	5.5/6.5
	52-100/100	6—100/6—100	5±1/5±1	6.5/6.5
	52-100/200	6—100/10—200	5±1.5/6±1.5	6.5/16
	52-200/200	10—200/10—200	6±1.5/6±1.5	16/16
	52-300/300	20—300/20—300	7±1.5/7±1.5	25/25
	52-400/400	30—400/30—400	8±1.5/8±1.5	38/38

### LF52Series Order Ref NO LE52-A-B-C-D

A Product set point	B Joint thread	C Instructions	D Wiring protection
Single set point	7/16"UNF single connector(Male thread)	Chinese/English	rubber Gland Pg16
Double set point	G1/4 single connector(female thread)	Chinese	plastic Gland Pg16
	G1/4 double connector (female thread)	English	nickel plated at brass Gland Pg16

### Specification

Media	Non hazardous media such as water, air, oil etc...
Contact arrangement	One/two sets of SPDT (microswitch)
Electrical rating	3A 250VAC 5A 125VAC
Storage temperature	-29~82°C
Ambient temperature	-20~71°C(fluid)
Media temperature	-20~93°C(fluid)
High and low pressure connections	7/16"UNF single connector(Male thread);G1/4 single connector(female thread); G1/4 double connector (female thread)
Maximum static pressure	16bar
Maximum differential	10bar
Setting repeatability tolerance	±1%
Degree of protection	Ip54
Accessories are optional (if there is no requirement, the default is selected)	Converted capillary, plastic/metal/rubber/line card, manual in Chinese/English